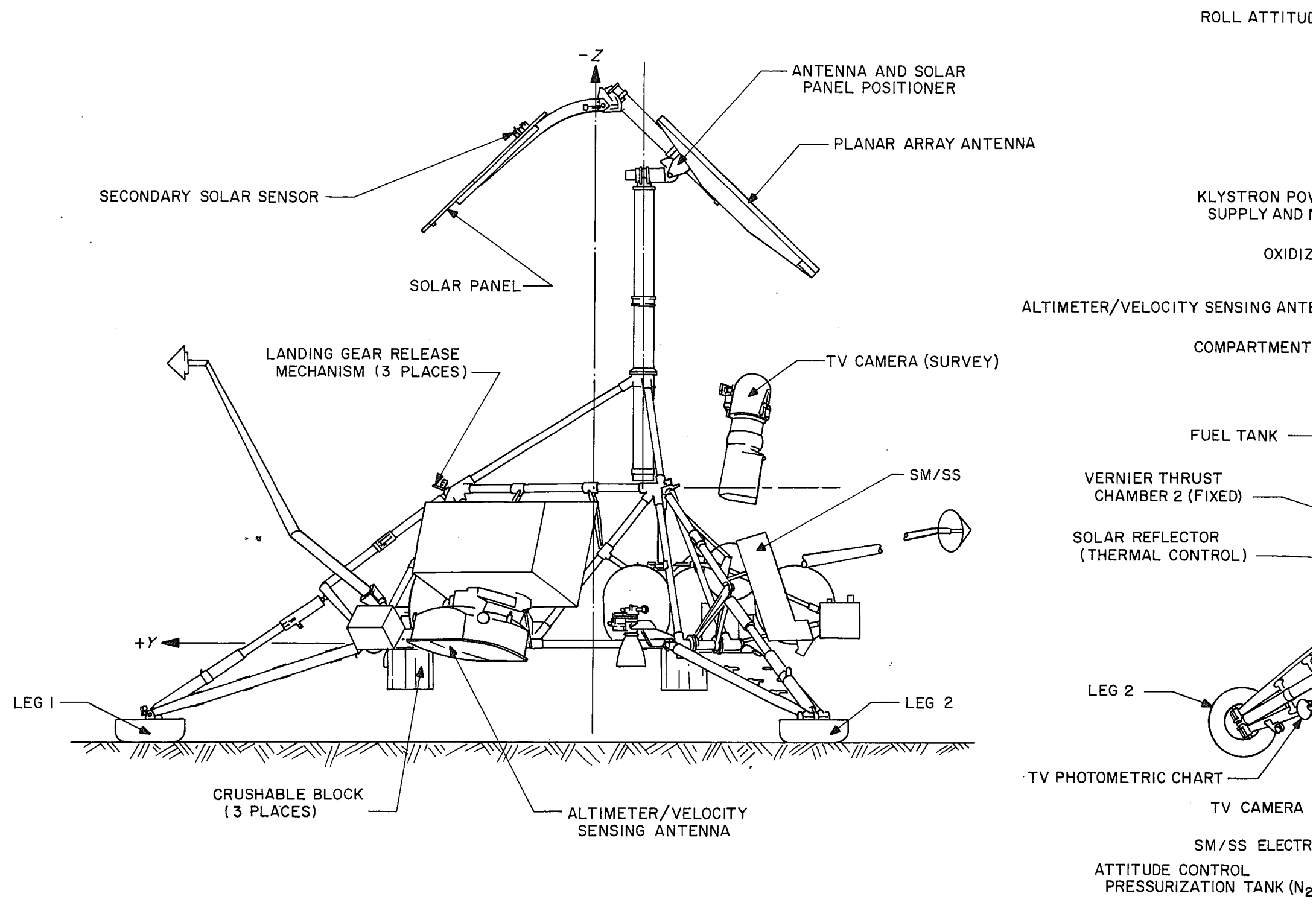
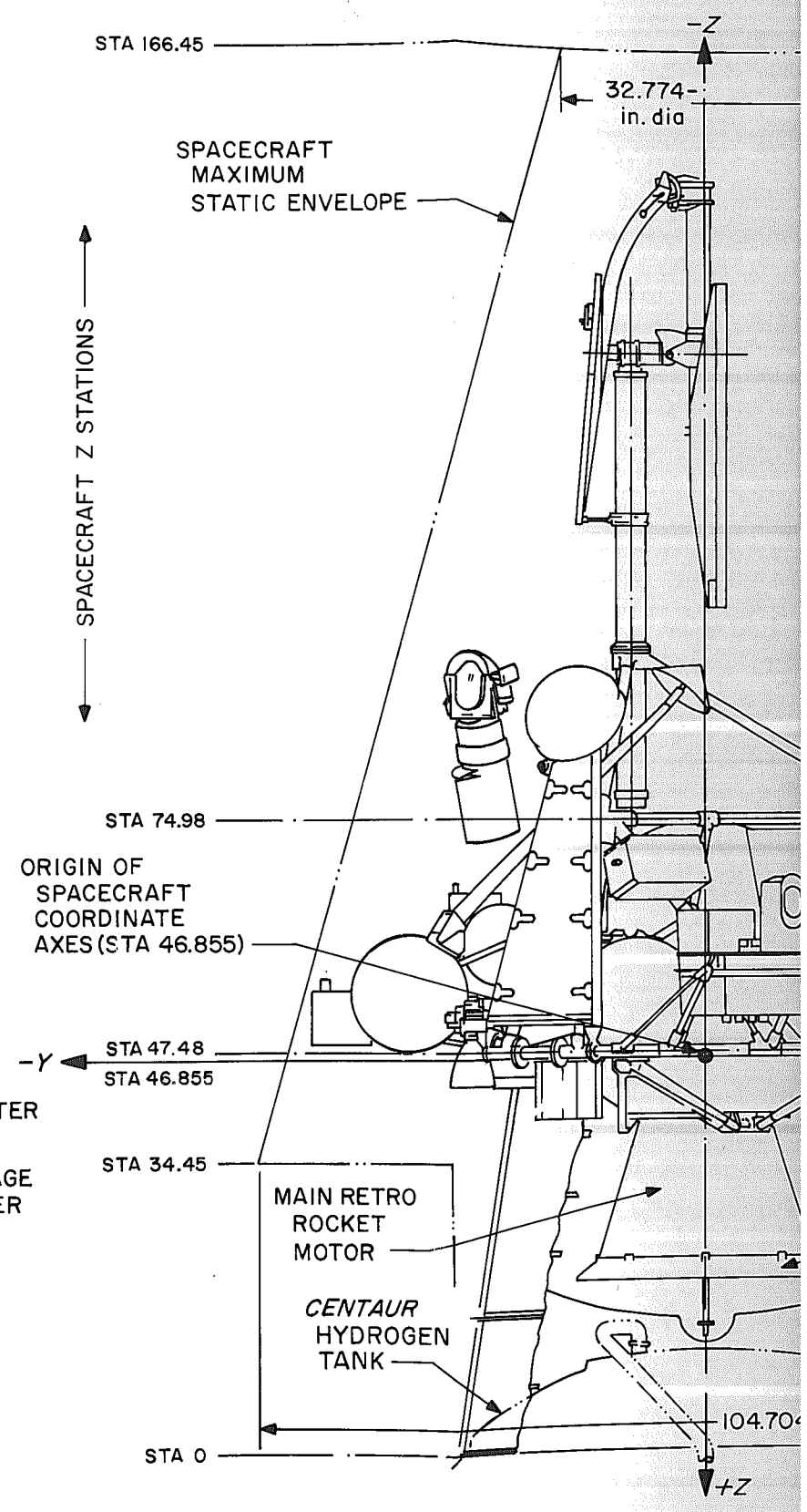
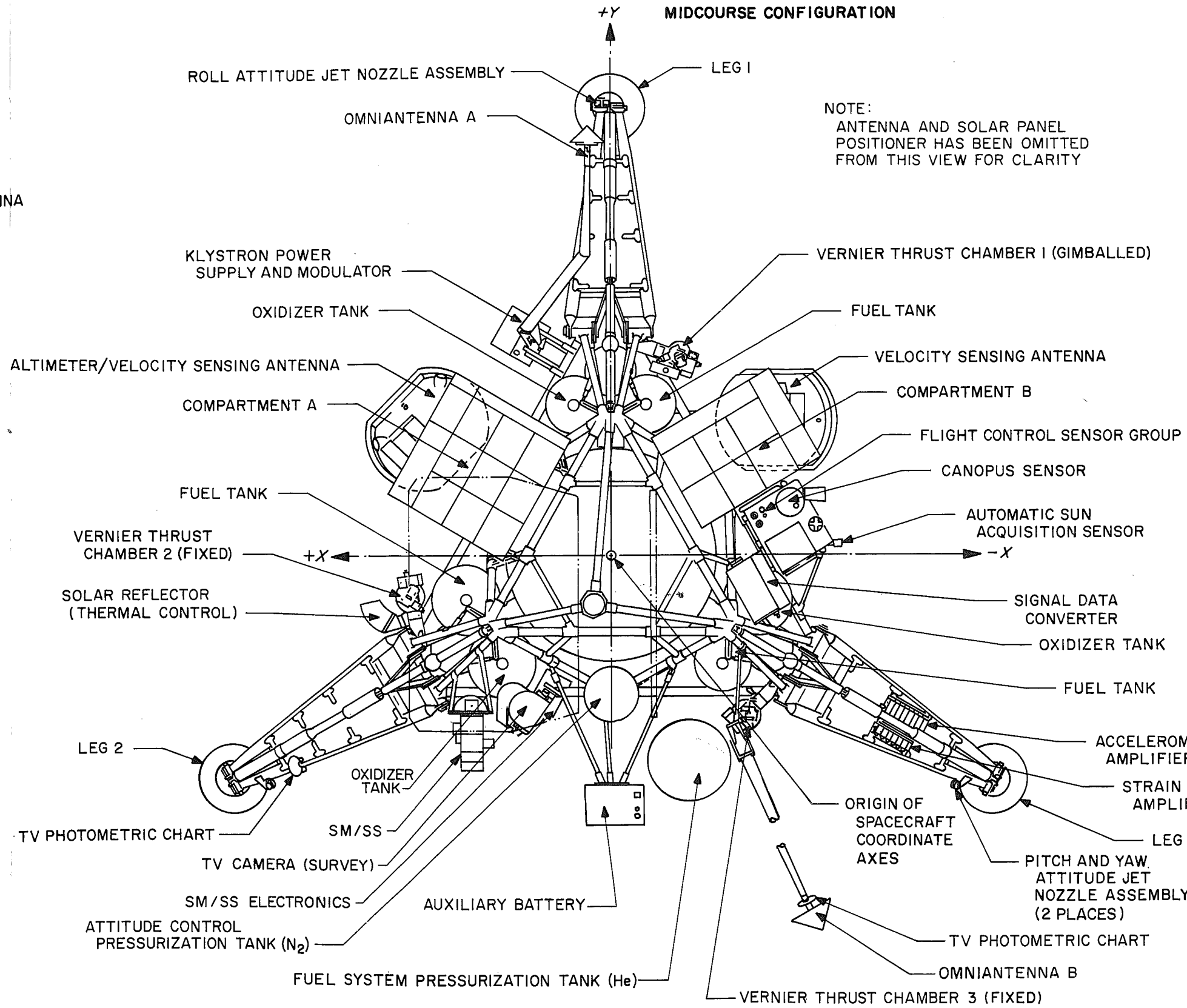


POSTLANDING CONFIGURATION



MIDCOURSE CONFIGURATION

NOTE:
ANTENNA AND SOLAR PANEL POSITIONER HAS BEEN OMITTED FROM THIS VIEW FOR CLARITY



ANTENNA AND SOLAR PANEL POSITIONER

PLANAR ARRAY ANTENNA

TV CAMERA (SURVEY)

SM/SS

LEG 2

TV PHOTOMETRIC CHART

SM/SS ELECTRONICS

ATTITUDE CONTROL PRESSURIZATION TANK (N₂)