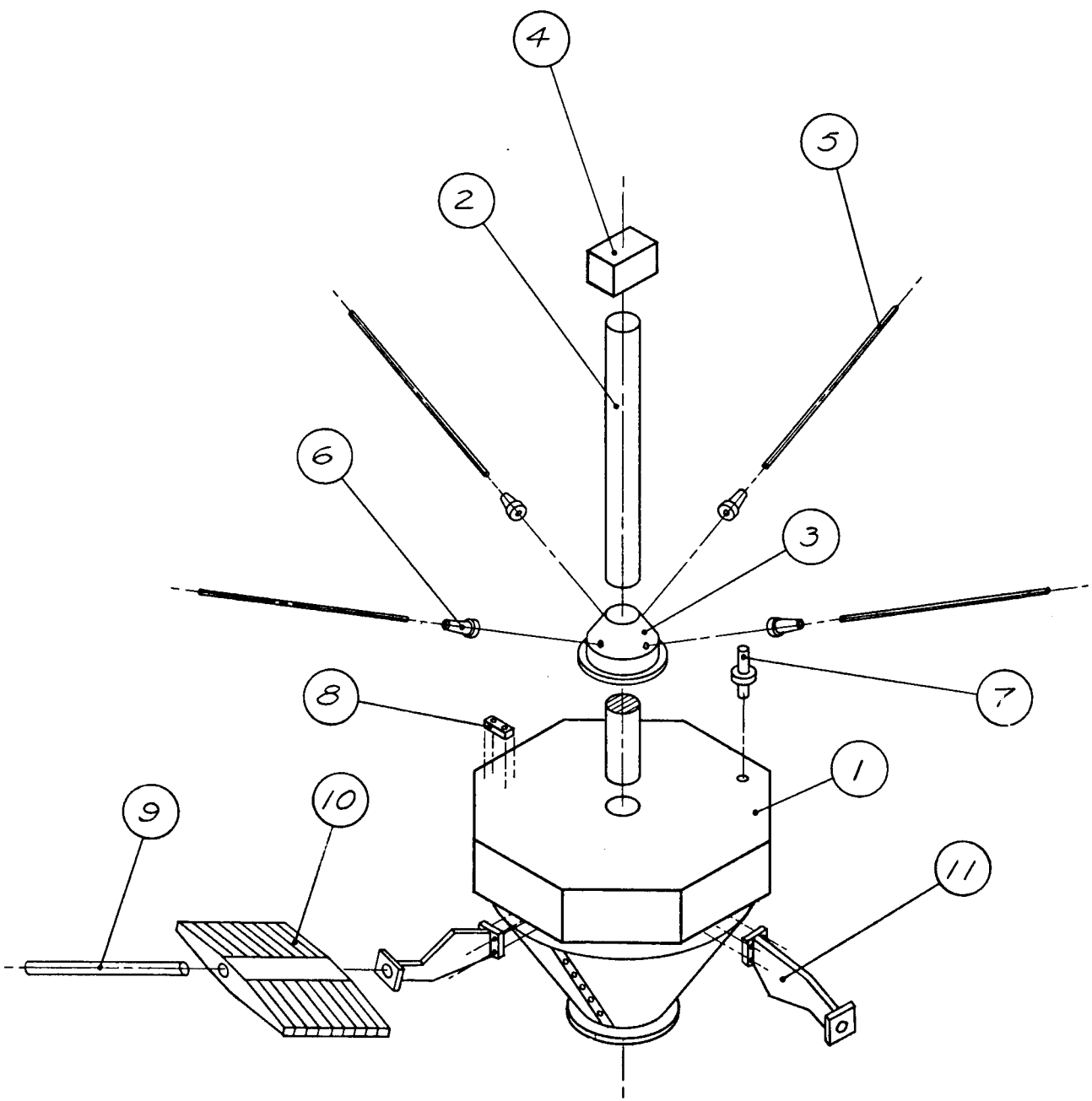
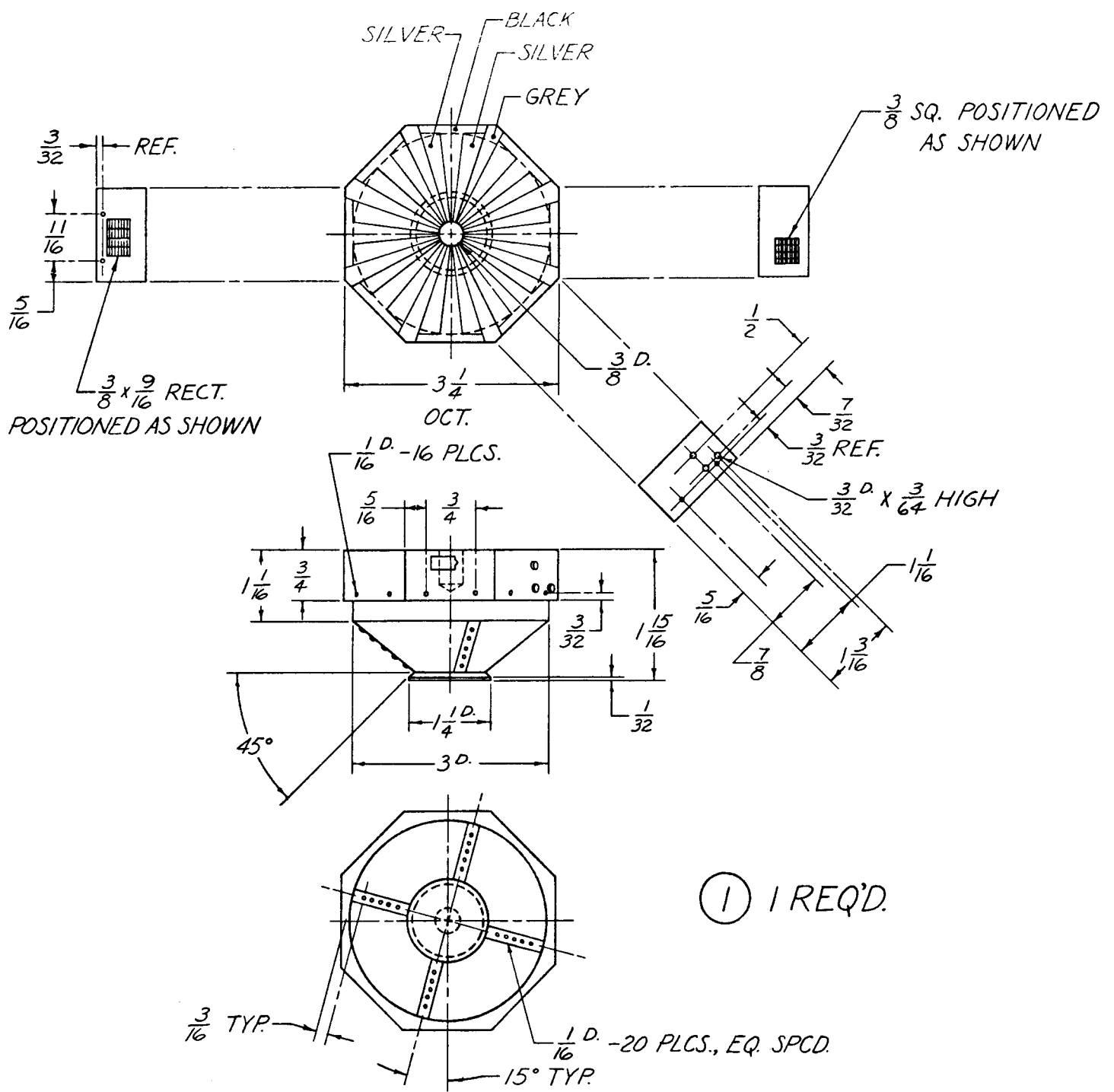
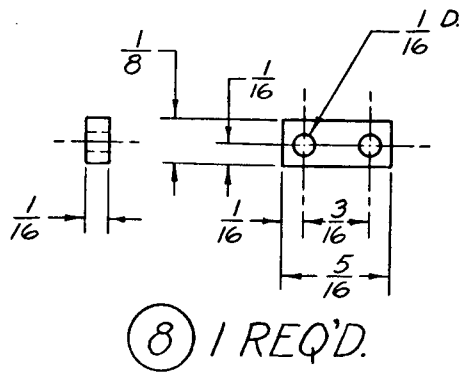
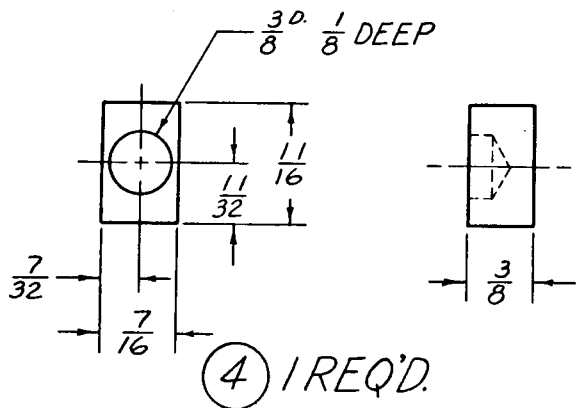
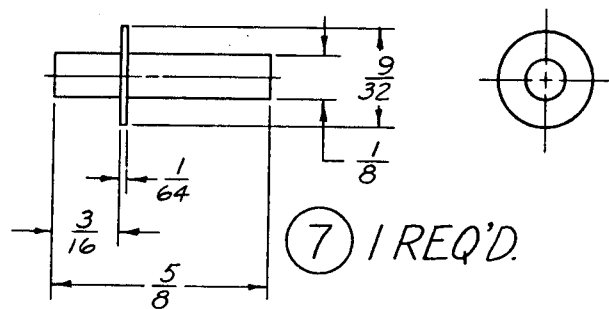
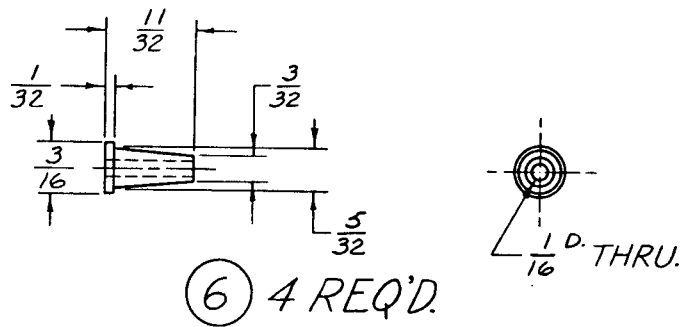
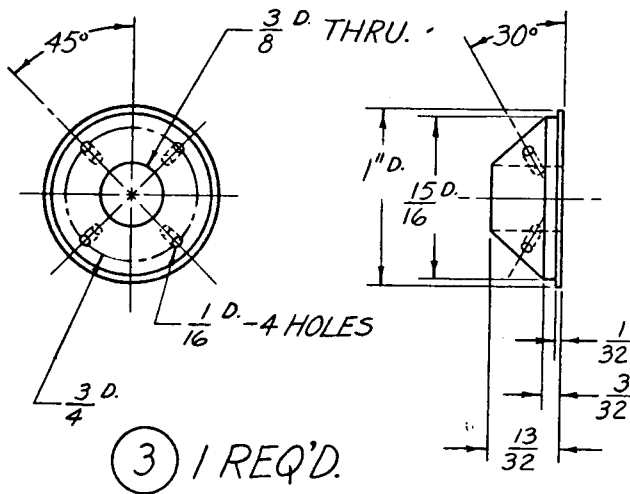
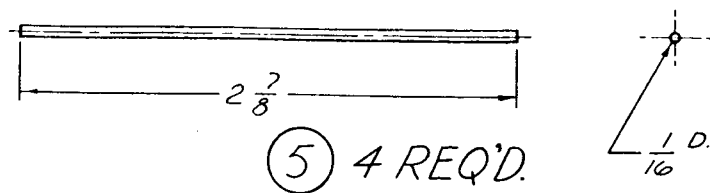
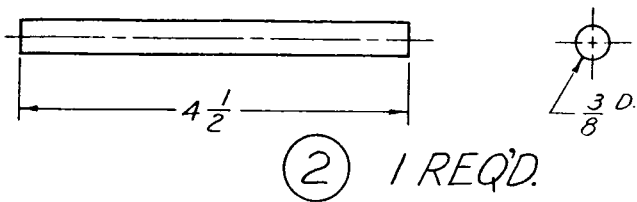


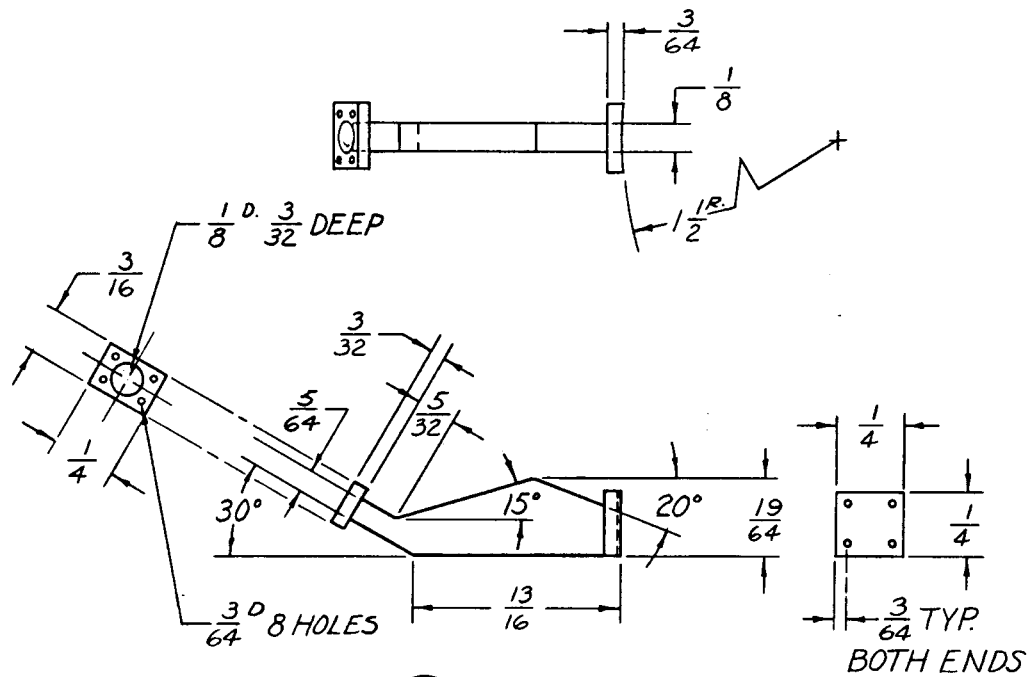
~EXPLORER XII~
ASSEMBLY



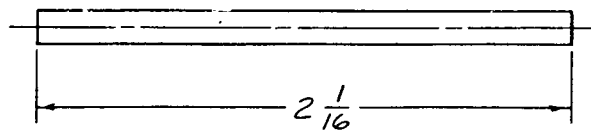


① 1 REQ'D.

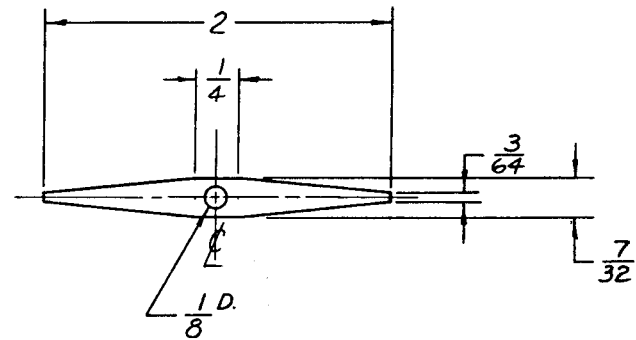
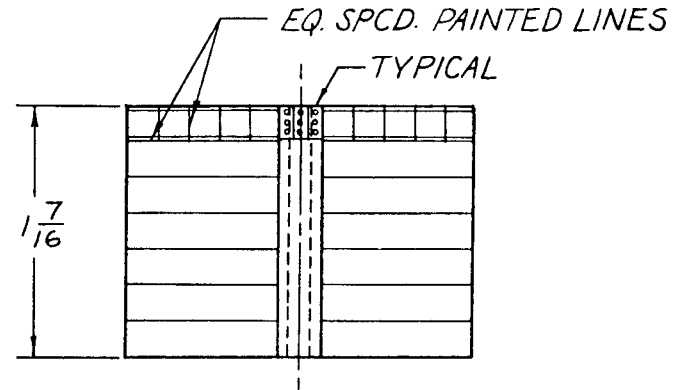




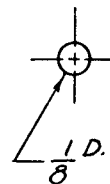
⑪ 4 REQ'D.



⑨ 4 REQ'D.



⑩ 4 REQ'D.



Explorer XII

Recommended materials for construction			
Part no.	Number required	Recommended material	Color
1	One	Wood - pine	Silver with black surface details
2	One	Dowel - rod, metal or plastic rod, metal or plastic tubing	Silver
3	One	Wood - (maple), plastic or brass	Silver
4	One	Wood - (maple) or plastic	Yellow
5	Four	Metal brazing rod	Silver
6	Four	Wood - (maple) or plastic	Silver
7	One	Metal brazing rod and washer	Gold
8	One	Wood - (balsa) or sheet metal	Red
9	Four	Dowel - rod or brazing rod	Silver
10	Four	Wood - balsa or pine	Silver with black surface details
11	Four	Sheet metal	Silver with black surface details

Recommended procedure for construction				
Part no.	Suggested materials	Fabrication technique	Surface treatment	Assembly recommendations
1	Wood - pine	Construct octagon body. Turn on lathe to specified dimensions. Drill all holes as per detailed drawing	Finish sand all surfaces	
2	Dowel - rod, metal or plastic rod, metal or plastic tubing	Cut to length and square ends		
3	Wood, plastic or brass	Turn to specified dimensions. Drill all holes as per detailed drawing	Finish sand or polish surface	
4	Wood or plastic	Construct to specified dimensions. Drill as per detailed drawing	Finish sand or polish surface	
5	Metal rod	Cut to specified length		
6	Wood or plastic	Shape on drill press or pencil sharpener or machine on lathe	Finish sand	
7	Brazing rod and brass washer	Fit washer onto rod	Polish	
8	Balsa wood or sheet metal	Drill holes as per detailed drawing		
9	Dowel - rod or brazing rod	Cut to specified length		
10	Balsa wood or soft pine	Layout and fabricate to specified dimensions and sand tapers. (May be constructed as one piced and divided into four equal pieces)	Finish sand	
11	Sheet metal	Construct both ends separate from the main body. Drill as specified on detail no. 11. All 3/64D. holes to be painted. Solder both ends to the body		
				Assemble part no. 9 to part no. 11 using epoxy resin or solder
				Attach part no. 11 to part no. 1 as indicated on the assembly drawing by alternating the position of part no. 11

			Paint all parts silver except parts no. 7 and 8	
			Apply surface details to part no. 1 as specified using appropriate paint or India ink	
				Assemble part no. 7 to part no. 1
			Simulate solar cells on part no. 10 by drawing equally spaced lines on the surfaces as indicated on detail no. 10	
			Paint part no. 8 red and attach to part no. 1 with epoxy resin	
				Attach parts no. 2, 3, 4, 5 and 6 to part no. 1
			Paint part no. 4 yellow	
				Assemble part no. 10 to part no. 9
Model stand	Wood - walnut	Design stand to support the assembled model	Natural rubbed oil finish	