

Lunar Module detail set (H mission)

Apollo 11 - 14 missions

detail set for Revell-Monogram's 1/48 Lunar Module kit

<http://mek.kosmo.cz/newware>

tom.nwkits@seznam.cz

Important:

For experienced modellers 10 and over.

Set was created by Tomas Kladiva (PE parts), Alexandr Uhlík and Andi Wuestner (resin parts).

PE parts are marked "P". Resin parts are marked "R". Original kit parts are marked "M". The wire or plastic rod is provided by the modeler.

Some details of drawings in the instructions are omitted for clarity or are displayed only in certain views. Additional details can be found in the David Weeks drawings and the Virtual LM book.

Please carefully study the instructions before starting to build the model. Lunar Module is very complex subject, so it is recommended to verify details in references. Choose the best order of attaching the smaller parts to the main structures. Some of the small parts are best painted before assembly. Other parts are easier to paint after being attached to the main structures.

References:

My little space museum of Karl Dodenhoff at <http://www.myspacemuseum.com/> - this site is recommended highly and has many useful photos of the LM

Apollo Image Gallery of **Project Apollo Archive** at http://www.apolloarchive.com/apollo_gallery.html - excellent source for high resolution images

Virtual LM by Scott P. Sullivan (Apogee Books, 2004) - contains many useful drawings of the LM

Apollo Spacecraft drawings by David Weeks available at <http://www.realspacemodels.com/>

orientation of bending ↻ 90° angle of bending (valley)

(Ex) Tip for experienced modeler

(8x) Number of repeating

Shading used for marking New Ware parts in drawings

Covered by foil

Colors:

(A) aluminium

(B) orange gold

(C) black

(D) white

(E) gunmetal

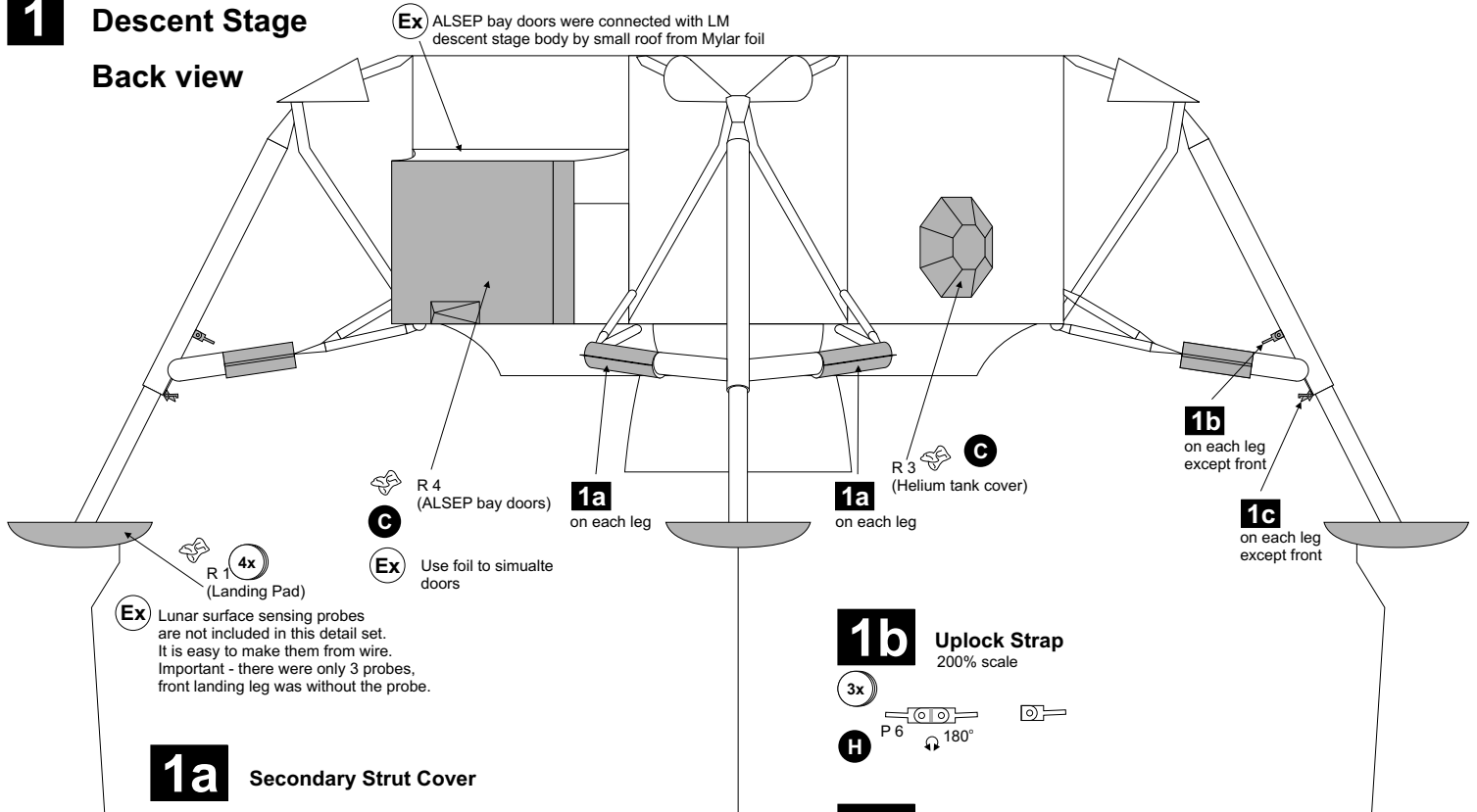
(F) grey

(G) beige

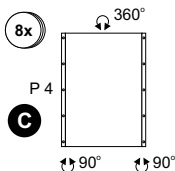
(H) metallic (steel)

1 Descent Stage

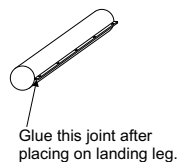
Back view



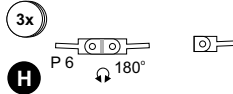
1a Secondary Strut Cover



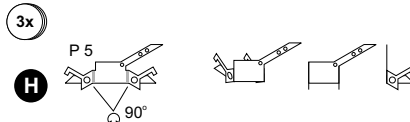
Bend center part into tube (use small tube for forming)



1b Uplock Strap 200% scale

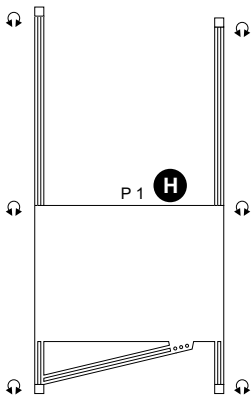


1c Probe Lock 200% scale



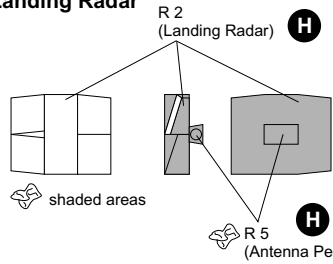
Bottom view

1d Landing Radar Thermal Shield 200% scale

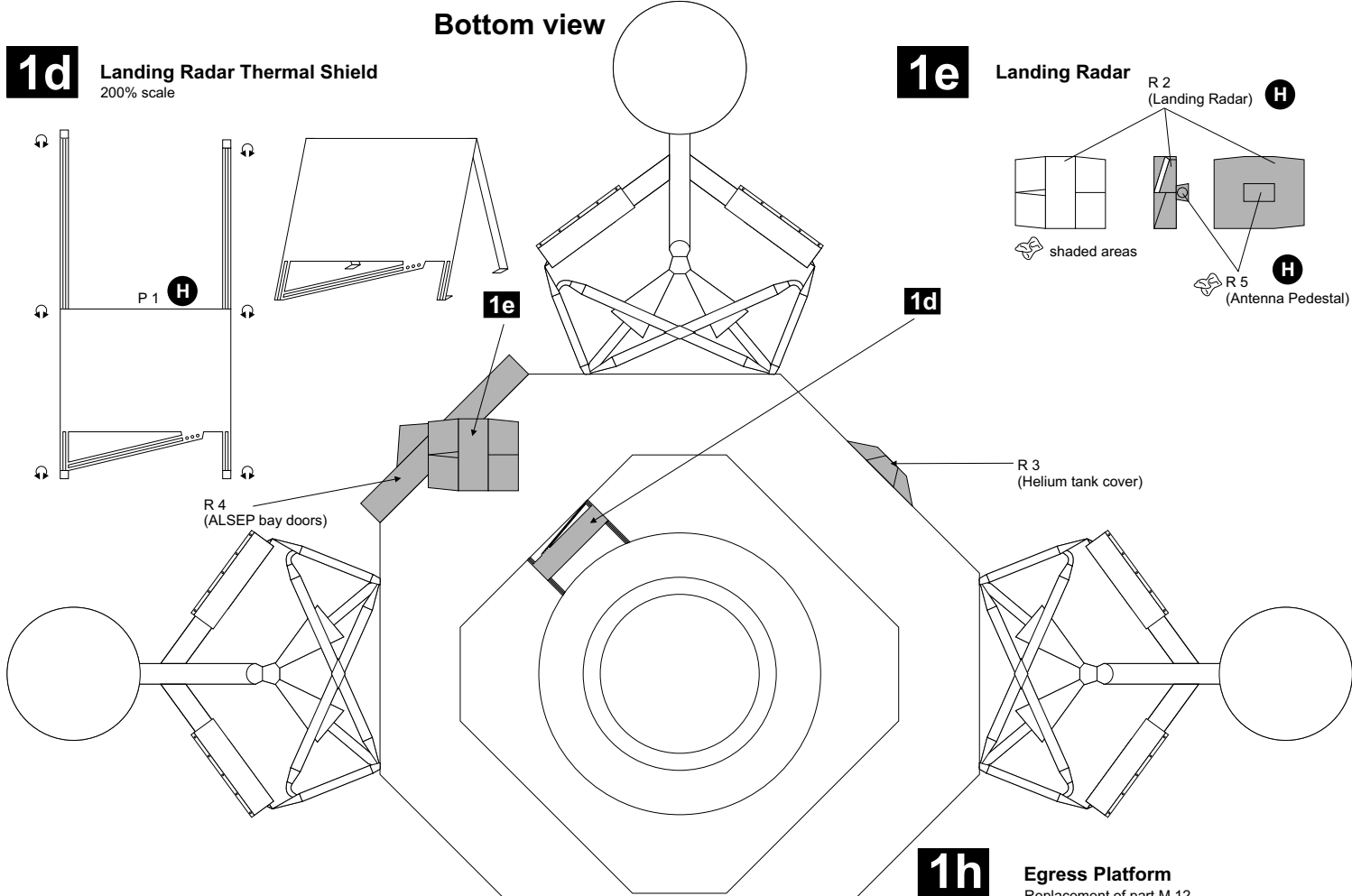


1e

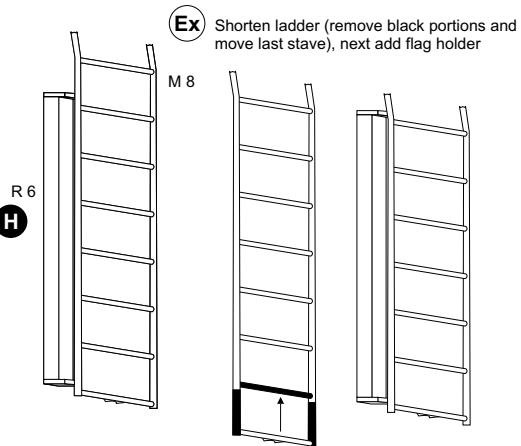
1e Landing Radar



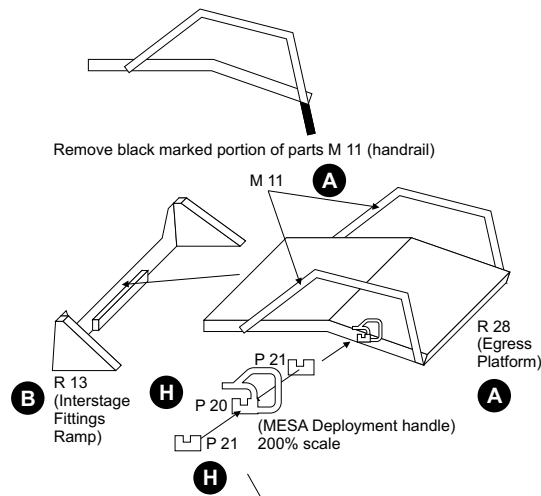
1d



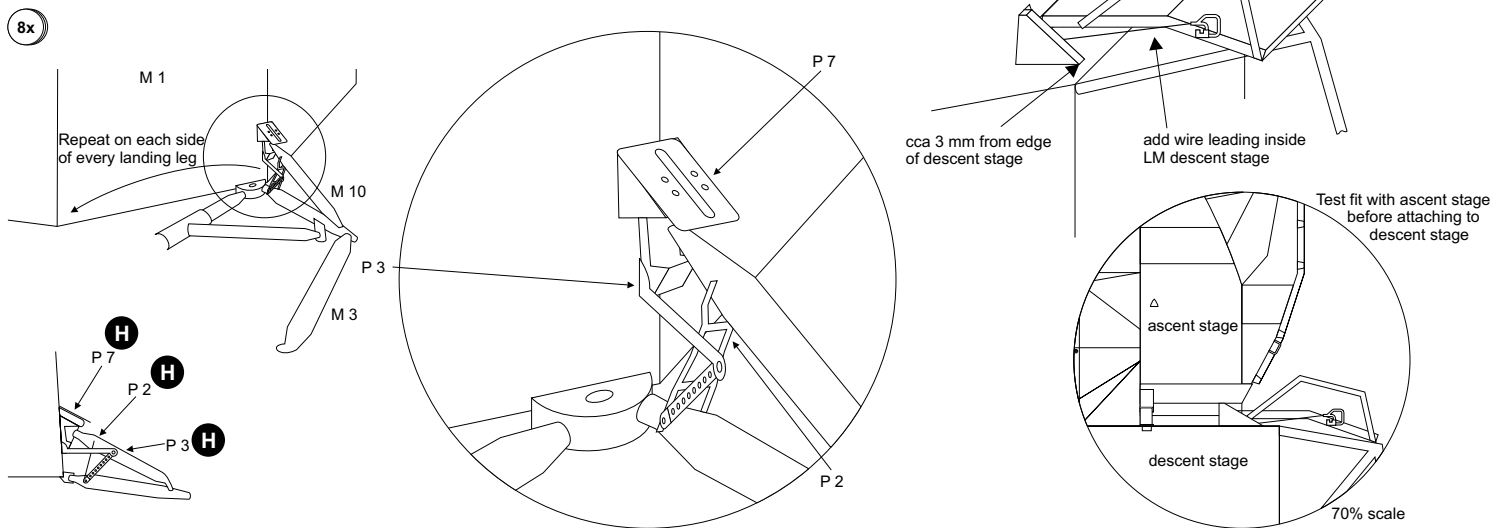
1f Flag Holder and Ladder lower portion of ladder shown only



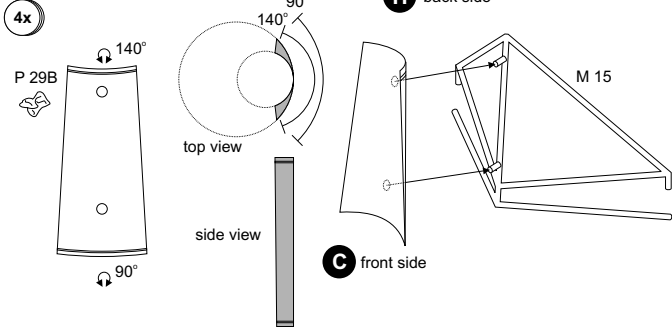
1h Egress Platform Replacement of part M 12



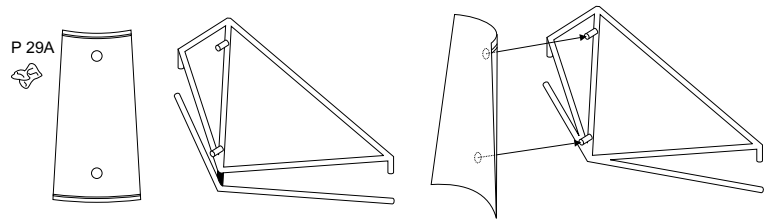
1g Landing leg downlock mechanism details



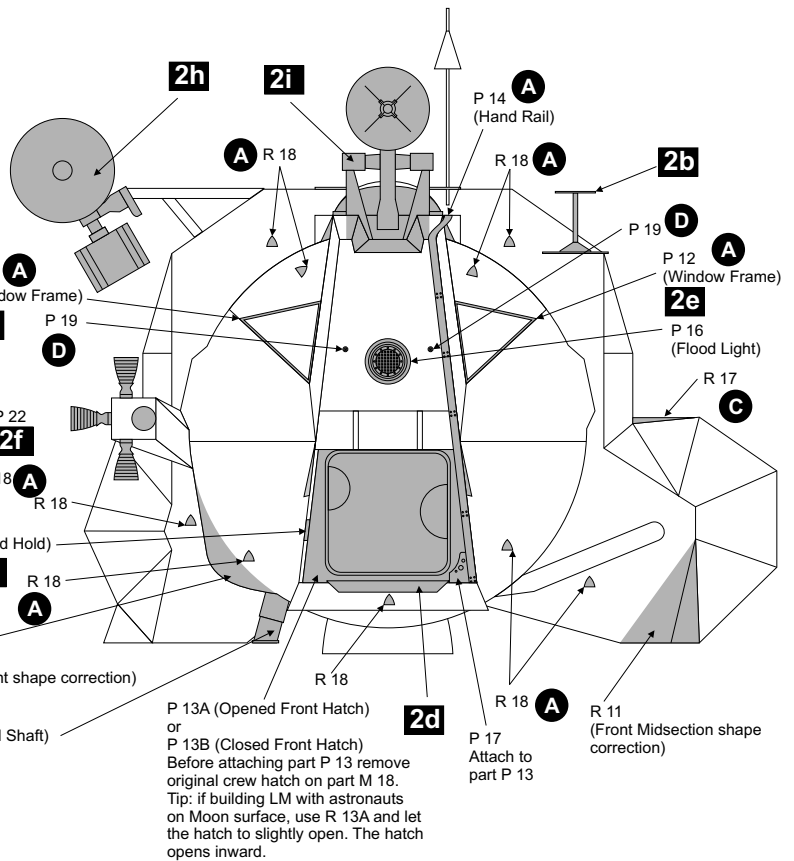
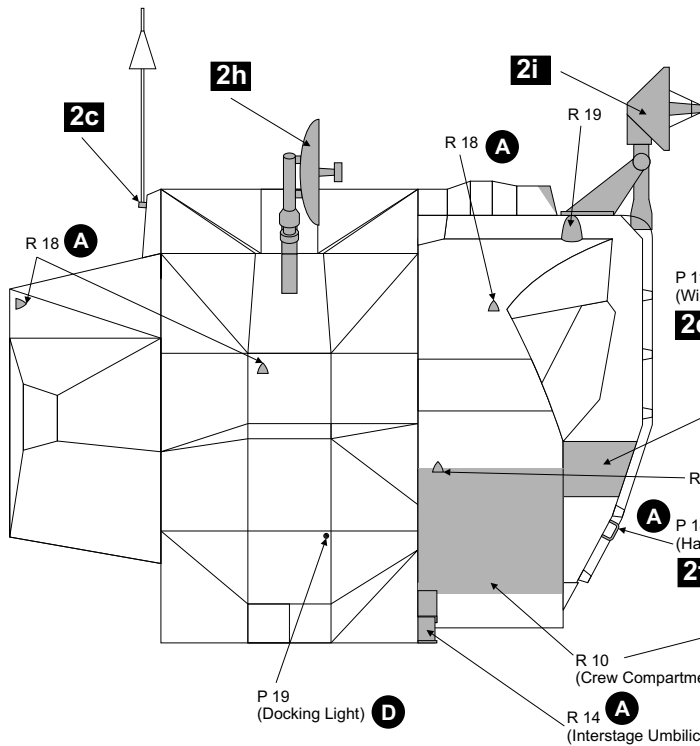
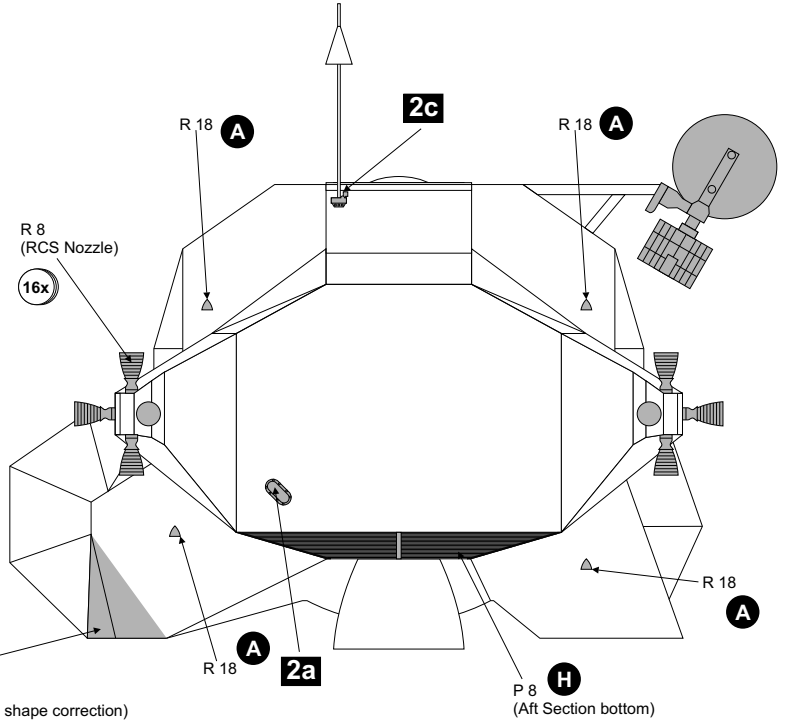
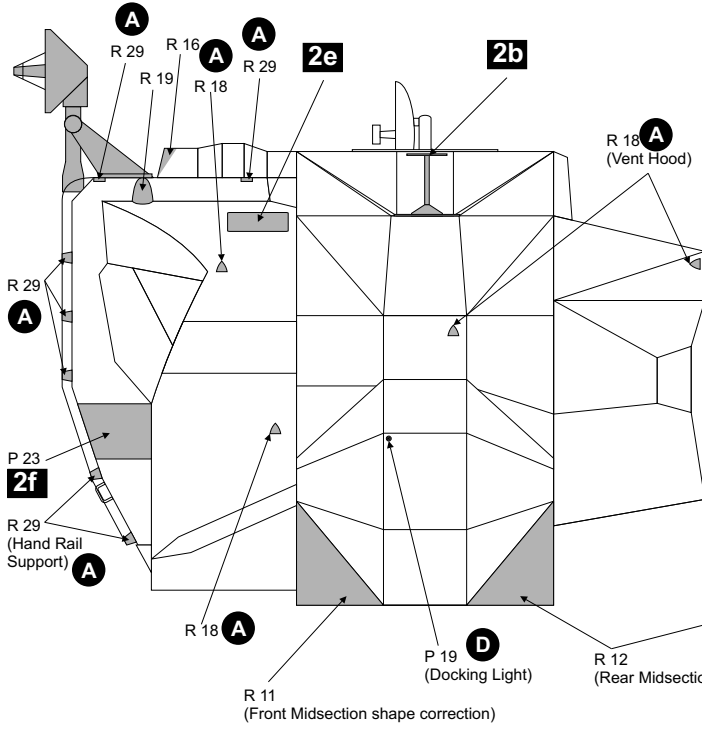
1i RCS Plume Deflector

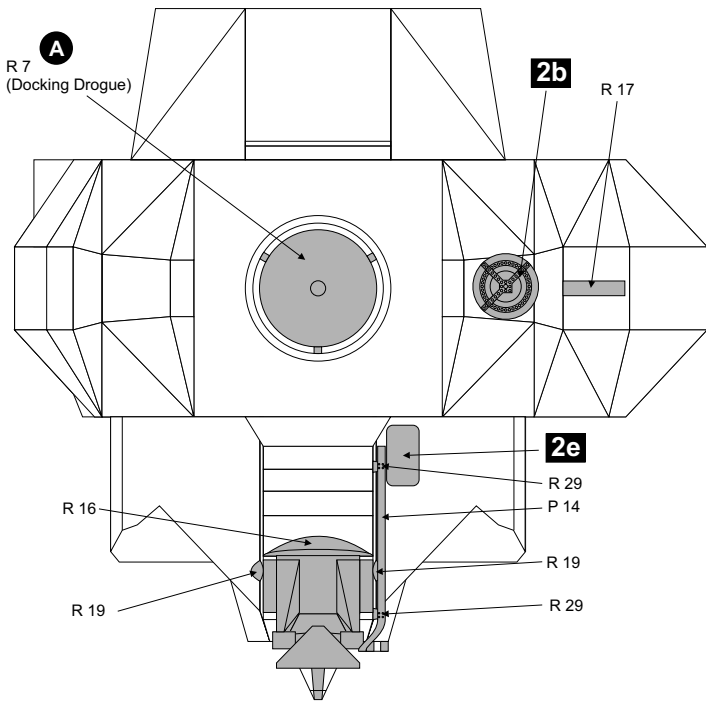


Ex Use shorter deflector (part P 29A). First modify part M 15 by removing black marked portion, next attach the deflector.

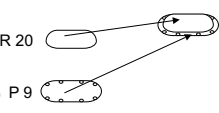


2 Ascent Stage

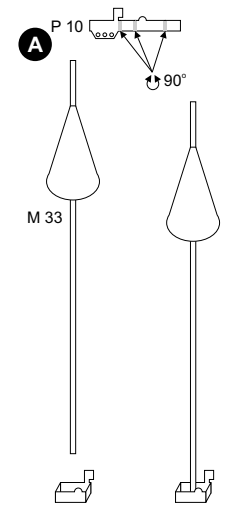




2a Bulge on Aft Section

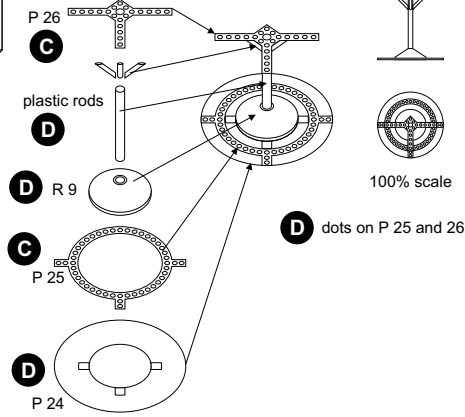


2c EVA Antenna



Ex The kit's EVA antenna is about 6 mm shorter compared to scale drawings. For creating your own one refer to scale drawings on previous page.

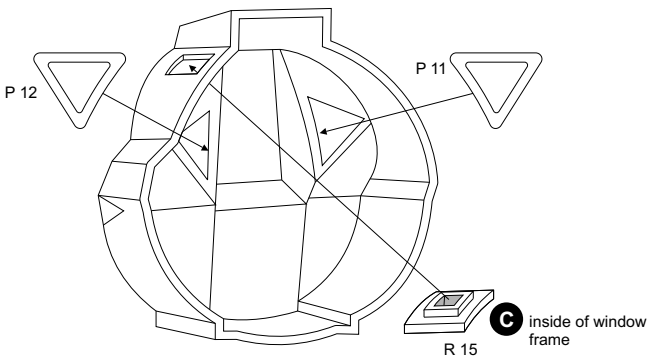
2b Docking Target



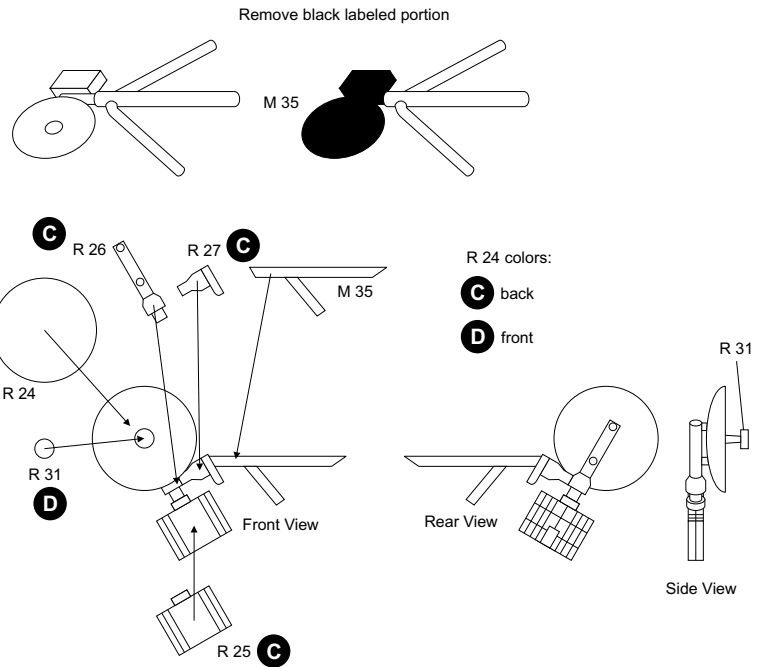
2d Parapet



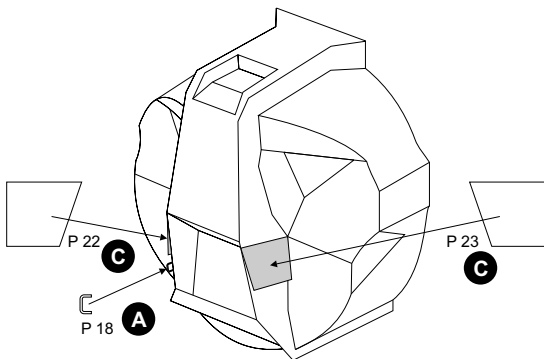
2e Docking window and front windows frames



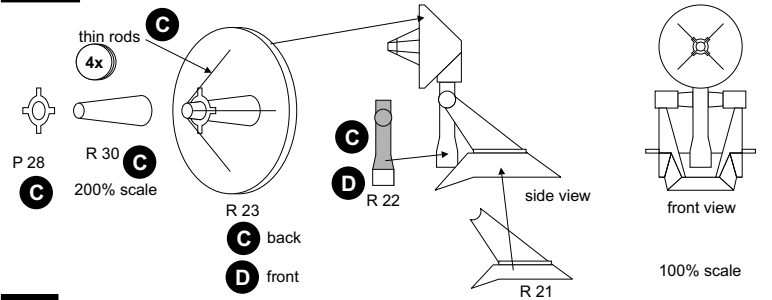
2h S-Band Antenna



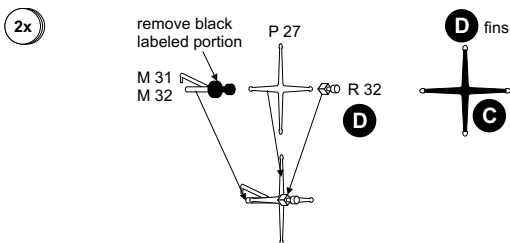
2f "Gills" and small Handrail



2i Rendezvous Radar



2g VHF Antenna



3 Paint scheme of some parts

